



Spare parts list

(1.107-154.0) G 2600 XH

(1.107-155.0) G 2800 XH

CONTENT LIST

1.0 Frame

2.0 Pump set

2.1 Cylinder head

VERSION 3

2.2 Piston

VERSION 3

3.0 Motor

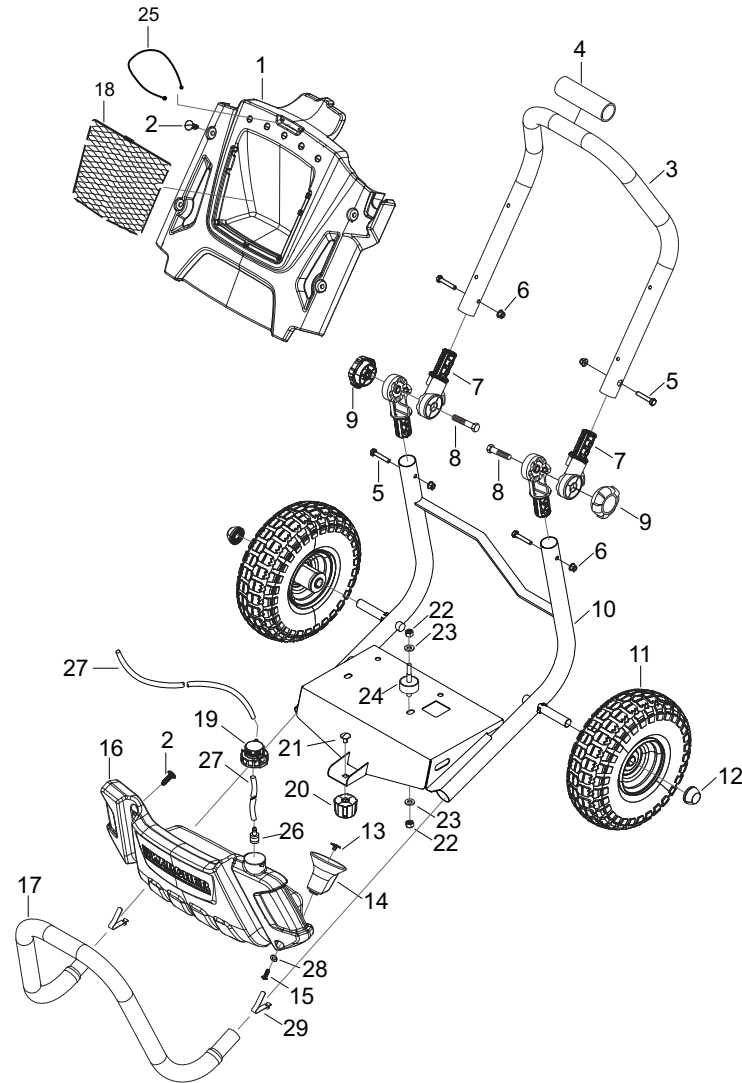
3.1 Motor

3.2 Transmission

VERSION 2

4.0 Accessories

1.0 Frame



1.0 Frame

POS	DESCRIPTION ADDITIONAL INFORMATIONS	PART NO	QTY.	FROM SER. NR.	UP TO SER.NR.
1	PLATE, STORAGE/NAME	87508490	1		
2	Nylon Rivet	91960490	8		
3	HANDLE, TITANIUM	89190890	1		
4	Foam grip, black	87508480	1		
5	1/4-20 x 1-1/2 GR 2 HEX BOLT ZINC	91963070	4		
6	1/4-20" Nylon Insert Lock Nut with Flang	91970100	4		
7	ROTARY TUBE-JOINT	91350070	4		
8	HEX HEAD BOLT 3/8-16 X 1-3/4	91960410	2		
9	KNOB	91365020	2		
10	FRAME, TITANIUM	89190770	1		
11	WHEEL 10" X 3.50" PNEU	91890070	2		
12	CAP BLACK PLASTIC,5/8"FASTENER	91825060	2		
13	Nut, Weld #10-32	87509400	1		
14	HOLDER, WAND	87508440	1		
15	SCREW, #10-32 X 5/8" PH RH	87508450	1		
16	TANK, DETERGENT	87508430	1		
17	BUMPER, TITANIUM	89190850	1		
18	NET, BUNGEE	87509430	1		
19	Cover tank cleaning agents	40638070	1		
20	RUBBER DAMPENER 5/16"-18FEMALE 2001	91834050	1		
21	5/16-18 X 1/2 CARRIAGE BOLT A307 BLK	91963080	1		
22	NUT, 5/16, ESNA, NC	98027760	8		
23	WASHER, 5/16" FLAT, SAE (780452)	87189800	8		
24	ISOLATOR, VIBRATION	87508470	4		
25	Cord Bungee	87509420	1		
26	Filter with weight	57316090	1		
27	Hose DN 5	63882160	2		
	TO ORDER AS CUT GOODS				
28	Washer, #10-32 Flat ASME (B18.22.1)	87508520	1		
29	SNAP, BUTTON	87509620	2		

2.0 Pump set

2.1 Cylinder head

VERSION 3

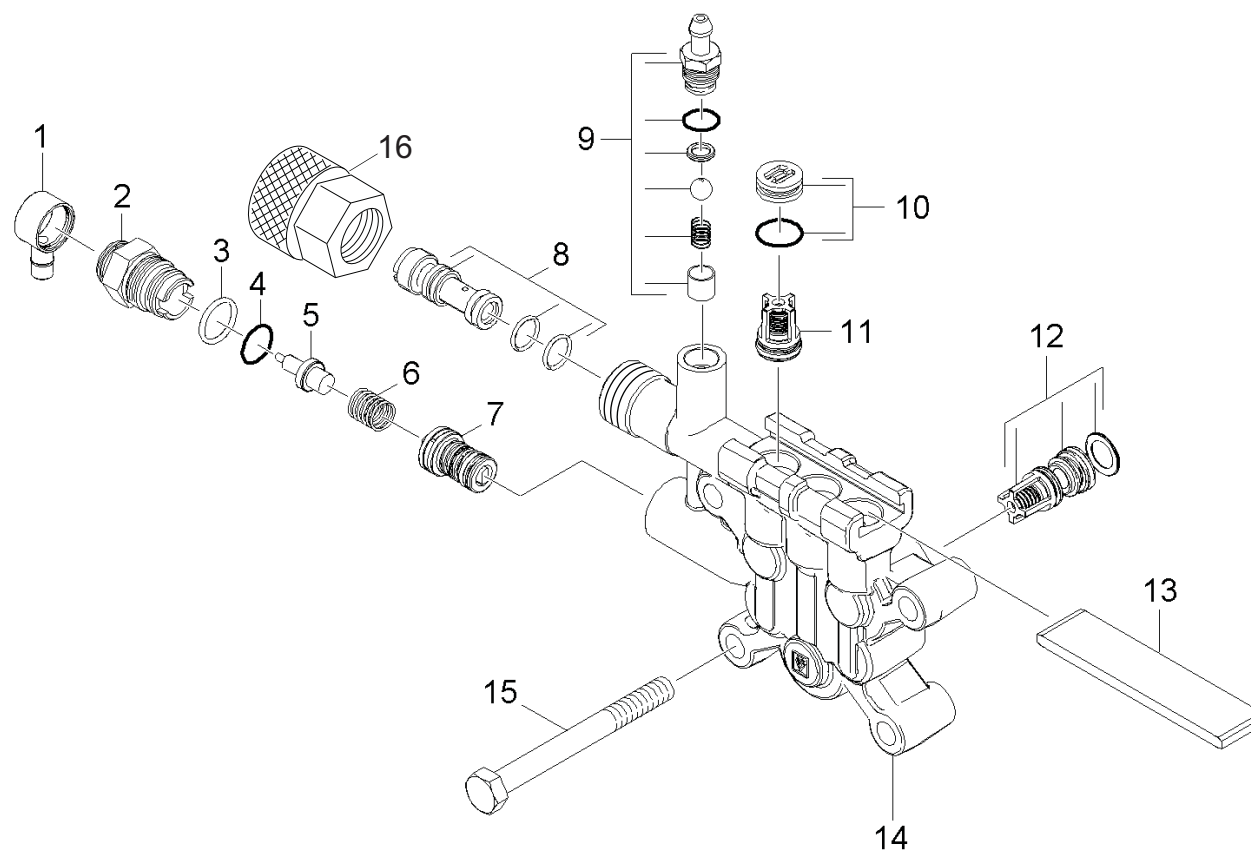
2.2 Piston

VERSION 3



2.1 Cylinder head

VERSION 3



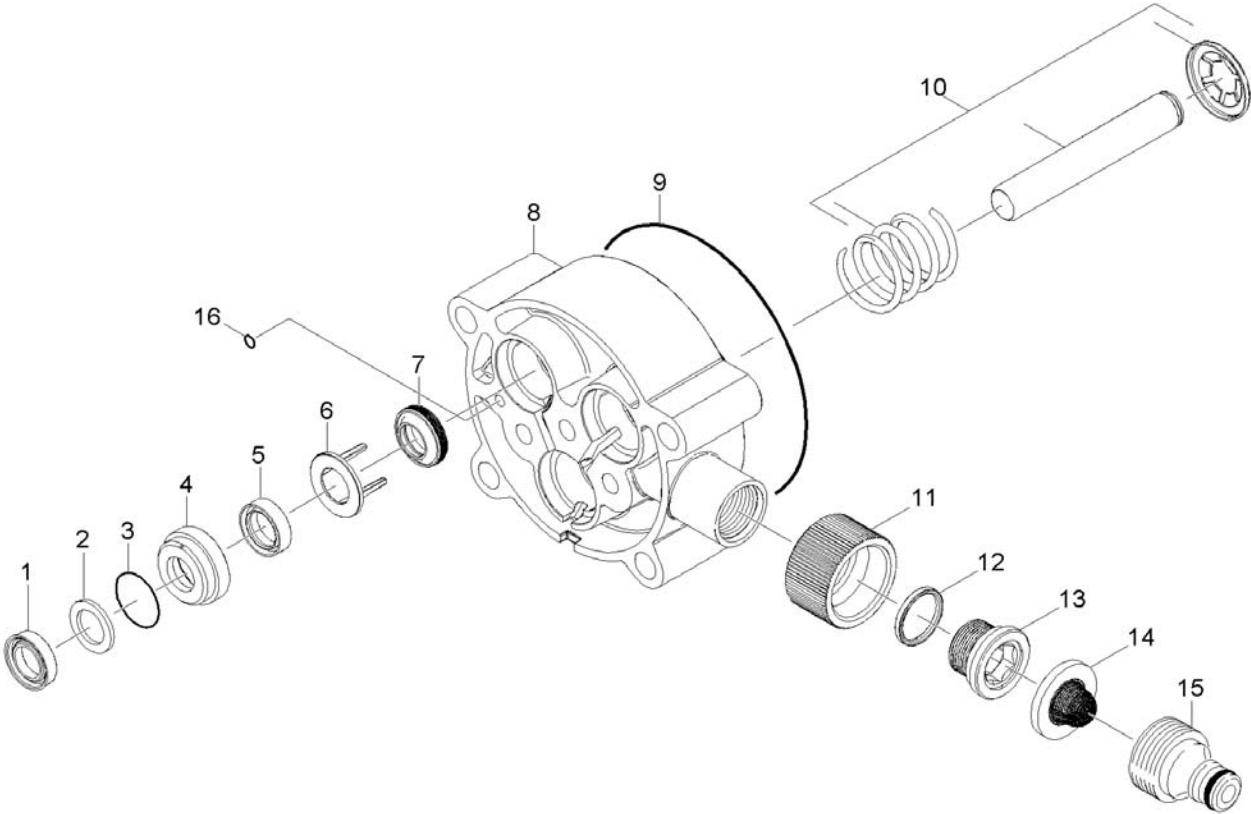
2.1 Cylinder head

VERSION 3

POS	DESCRIPTION ADDITIONAL INFORMATIONS	PART NO	QTY.	FROM SER. NR.	UP TO SER.NR.
1	THERMAL VALVE COVER-SHORT	91340210	1		
2	Valve screw	91840180	1		
3	O-Ring seal 12,42x 1,78	63624800	1		
4	O-Ring seal 8x2-NBR 90 DIN 3770	73625070	1		
5	TERMO VALVE TIN COATED	64134030	1		
6	Helical spring	53322900	1		
7	Unloader Assembly	91750050	1		
8	SPARE PART LIST NOZZLE INS 020/021 PUMP	91393720	1		
9	Spare part set chemistry	28838620	1		
10	Drain plug only for replacement	41320070	3		
11	Valve (3 Stück) SET CONSISTS OF 3X VALVE	28849160	1		
12	SPARE PART LIST VALVE COM 020/021 PUMP SET CONSISTS OF 3X VALVE	91393710	1		
13	Plate	50030620	1		
14	Cylinder Head-Machined	91350150	1		
15	Hexagonal head screw M8x80-8.8-A2E ISO	73040980	4		
16	QUICK CONNECT	91540450	1		

2.2 Piston

VERSION 3



2.2 Piston

VERSION 3

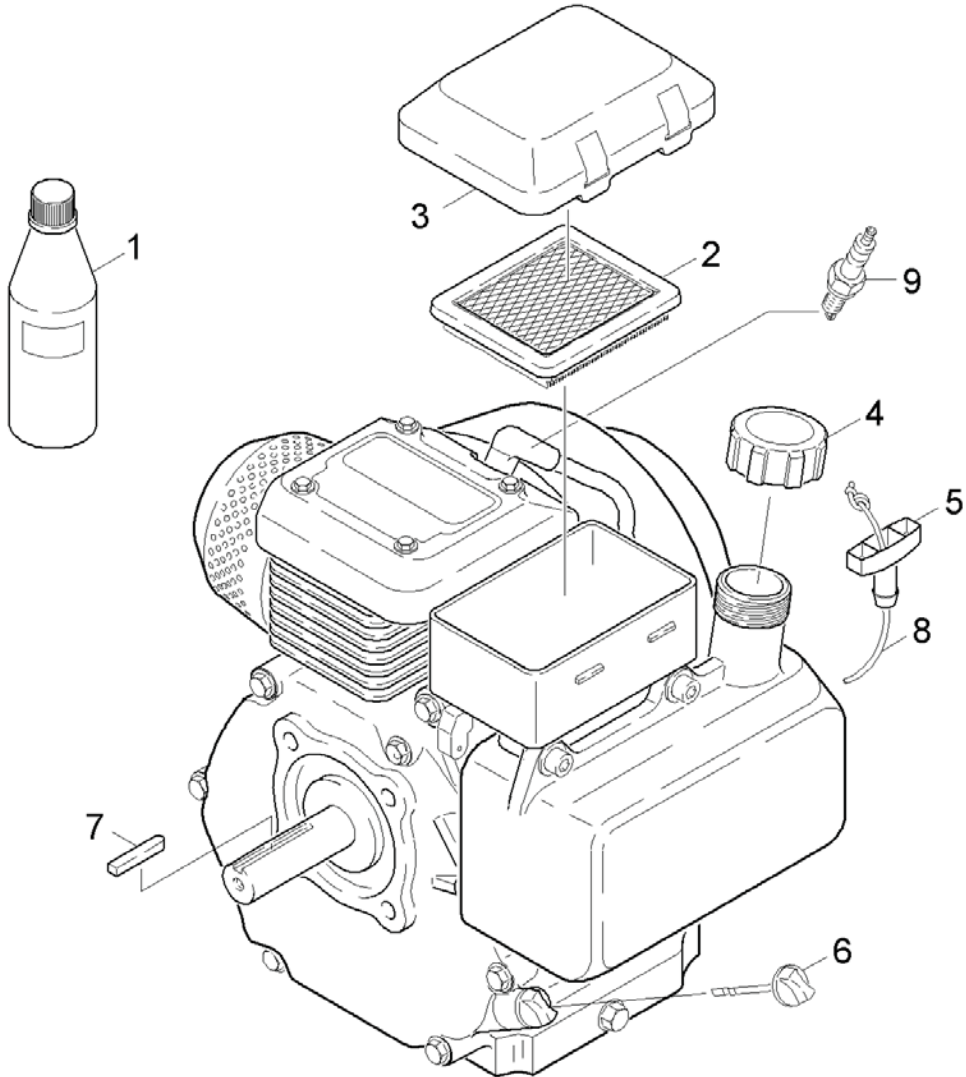
POS	DESCRIPTION ADDITIONAL INFORMATIONS	PART NO	QTY.	FROM SER. NR.	UP TO SER.NR.
1	HIGH PRESSURE SEAL	91773010	3		
2	BACK RING-HIGH PRESSURE SEAL-	91773100	3		
3	O-Ring seal 21,5 x 1,78	63628330	3		
4	HOUSING-LOW PRESSURE SEAL	91550110	3		
5	Grooved ring	63630580	3		
6	SPACER-OIL SEAL & SEAL HSG.	91340160	3		
7	Oil sealing 12x20x4/6	63653930	3		
8	Piston Guide-Machined	91330070	1		
9	O-Ring seal 80,0 X 3,0 -NBR 70	63624710	1		
10	SPARE PART LIST PISTON 020/021 PUMP	91393700	3		
11	FEMALE HOSE CONNECTOR	91550130	1		
12	O-Ring seal 15,6 X 1,78	63623900	1		
13	MALE ADAPTER	91340190	1		
14	FILTER SEAL-HOSE CONNECTOR-	91810050	1		
15	Adapter, Garden Hose GHA	91780050	1		
16	O-Ring seal 4.47X1.78	63631900	1		

3.0 Motor

3.1 Motor
3.2 Transmission
VERSION 2



3.1 Motor

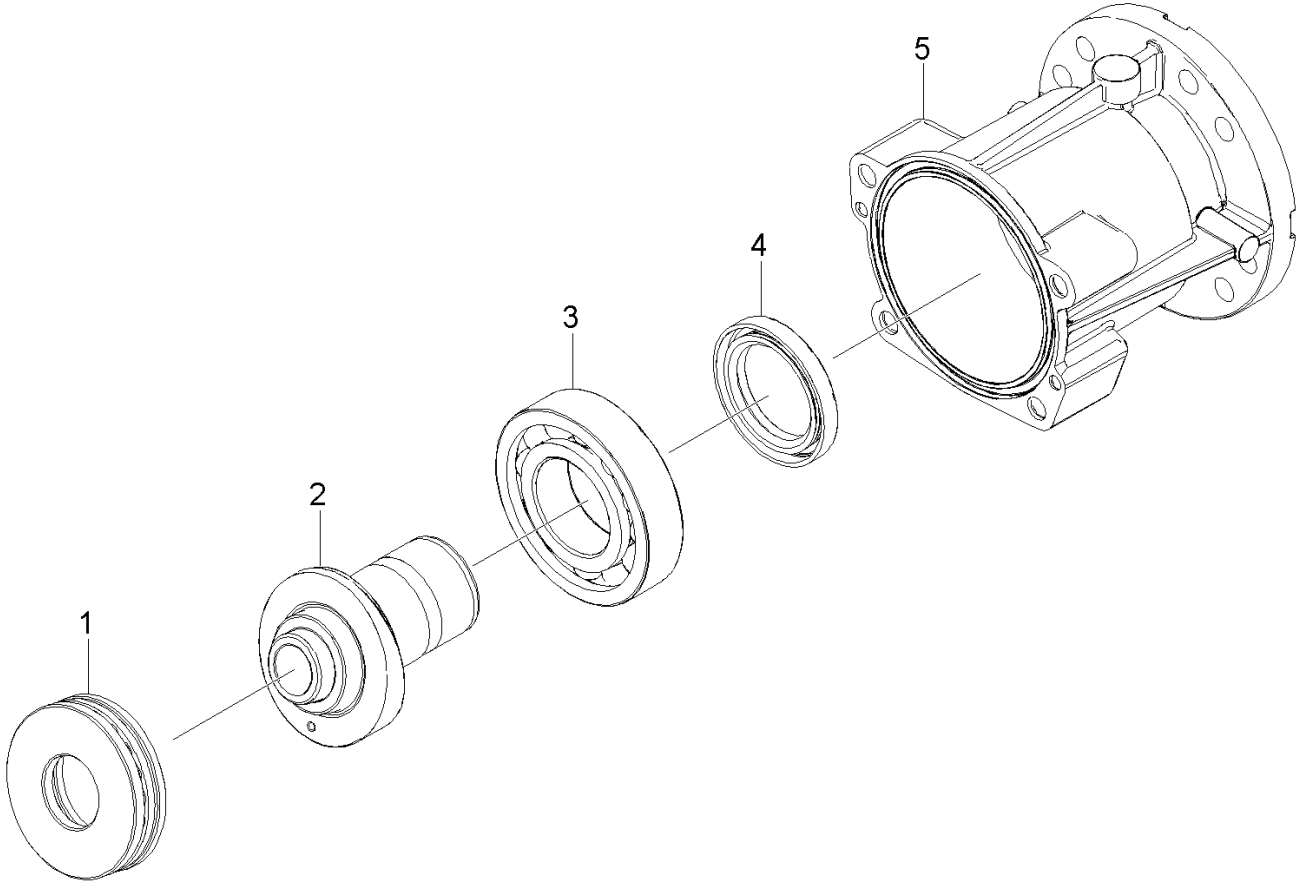


3.1 Motor

POS	DESCRIPTION ADDITIONAL INFORMATIONS	PART NO	QTY.	FROM SER. NR.	UP TO SER.NR.
1	Engine oil 1L	62880500	1		
2	Air filter insert	64917260	1		
3	Cover	91945430	1		
4	Cap of a tank	64917230	1		
5	Handhold	64915030	1		
6	OIL DIP ROD	91945310	1		
7	SHAFT KEY 3/16" SQ X 1.5"	91945460	1		
8	Pull cord	64915460	1		
9	Ignition plug BPR6ES	64915500	1		

3.2 Transmission

VERSION 2

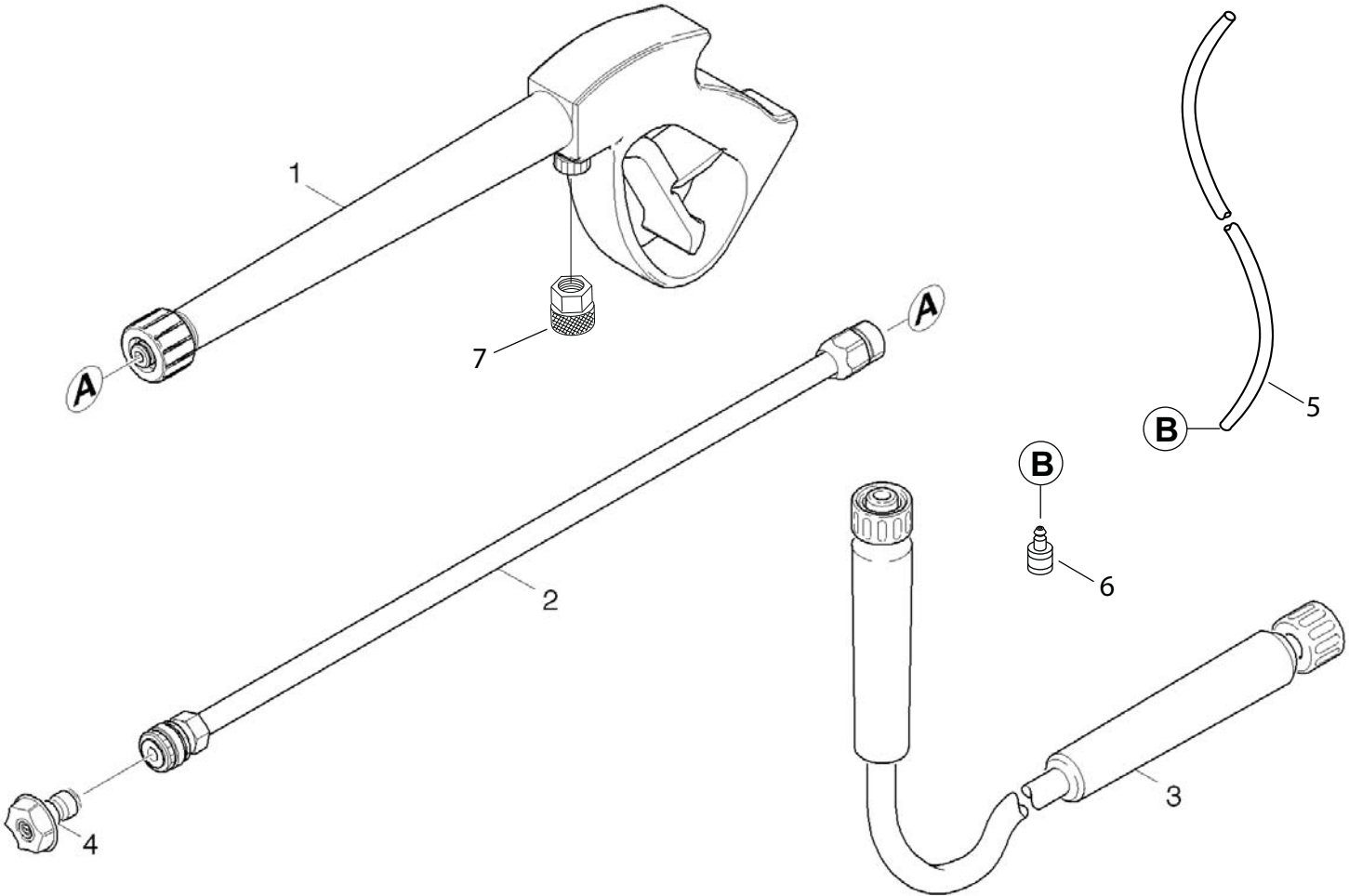


3.2 Transmission

VERSION 2

POS	DESCRIPTION ADDITIONAL INFORMATION	PART NO	QTY.	FROM SER. NR.	UP TO SER.NR.
1	GROOVED BALL BEARING	91653550	1		
2	Swash Plate Horizontal-Machined	91350180	1		
3	BALL BEARING NO. 6207	91653560	1		
4	Radial Seal, 35x52x7	91773140	1		
5	Oil Housing Vertical Machined	91350160	1		

4.0 Accessories



4.0 Accessories

POS	DESCRIPTION ADDITIONAL INFORMATIONS	PART NO	QTY.	FROM SER. NR.	UP TO SER.NR.
1	AL BIT101 TRIGGER GUN	91120120	1		
2	Lance-AL Quick Connect-Male 3000 psi	91125330	1		
3	HOSE HP DN6 25FT 3000 PSI H&G	87259780	1		
4	QUICK CONNECT NOZZLE KIT 0325 (G 2600 XH Model)	91040160	1		
	QUICK CONNECT NOZZLE KIT 030 (G 2800 XH Model)	91040240	1		
5	Hose DN 5 TO ORDER AS CUT GOODS	63882160	1		
6	Filter with weight	57316090	1		
7	QUICK CONNECT	91540450	1		